

# IP BOX SPEAKER

Page 1/1

MIP\_EA15

Code: 4091

## DESCRIPTION

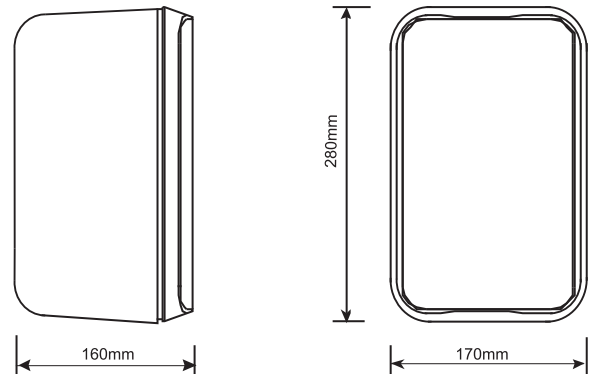
- Active speaker with network audio source build in.
- Box speaker with good sound quality.
- High performance ARM processor, can realize the excellent network audio transmission performance.
- B/S structure and can be managed via web browser.
- Advanced network structure design, support standalone running without server.
- Built-in 2\*20W 8Ω Amplifier & connect with 8Ω speaker directly without extra Amplifier.
- POE function optional.
- 12V~24V widely range power supply
- 4 Timing program schedule build in to do system control automatically
- Communication delay <50ms.
- Easy to do announcement via network from an MIP\_DARS or MIP\_TERS8.
- Can play TF card/Flash /USB disk music..



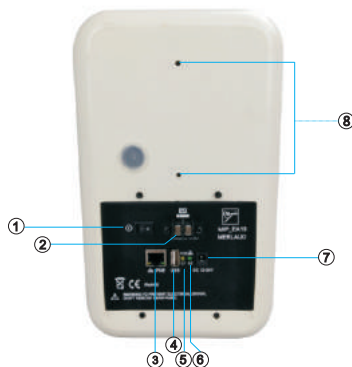
## TECHNICAL SPECIFICATIONS

- Power Supply: DC12V~24V Wide Range, under DC24V, static current is 0.08A.
- Dimensions WxHxD: 170x280x160mm
- Gross weight: 3.55kg, net weight:2.35kg
- Frequency response: 90-19000Hz
- SPL(max)1W@1m: 1W/1m 92-(102)dB
- Color: White or Black
- Network Interface: 100M Base network, RJ45 port, 1.5KV Electric isolation, with transmission data indicating.
- Power Output: 2\*20W (MONO)
- Speaker type: Available to connect 8Ω sub speaker(Max 20W)
- Network Protocol: Support IPv4,HTTP, DNS, NTP, RTP, RTSP, TCP, UTP, DHCP.

## DIMENSIONS



## REAR PANEL



1. Power switch
2. 8 ohms output for sub speaker
3. Network port with POE
4. USB for music play/import/software upgrading
5. Flashing led for data transfer indicate
6. Lighting for Power Over Ethernet
7. DC input with 12V~24V
8. Installation hole for speaker