

IP ABS CEILING SPEAKER

Page 1/1

MIP-FP152

Code: 4096

DESCRIPTION

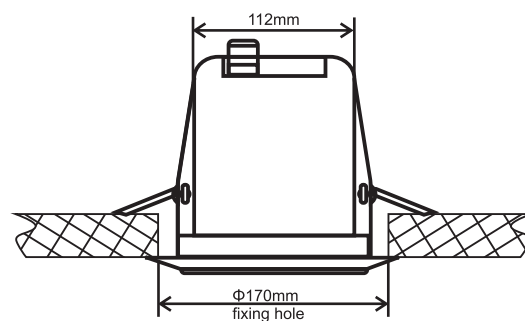
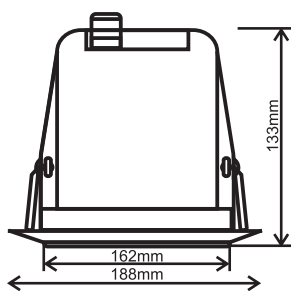
- Active speaker with network audio source build in.
- High performance ARM processor, can realize the excellent network audio transmission performance.
- B/S structure and can be managed via web browser.
- Advanced network structure design, support standalone running without server.
- Built-in 2*20W 8Ω Amplifier.
- 12V~24V widely range power supply
- 4 Timing program schedule build in to do system control automatically
- Communication delay <50ms.
- Easy to do announcement via network from an MIP-DARS or MIP-TERS8.
- Tool free easy spring ceiling mounting.
- White RAL 9010 epoxy coated aluminium grill and ABS chassis.
- Ceramic fireproof connector



TECHNICAL SPECIFICATIONS

- Power Supply: DC12V~24V Wide Range.
- Rated power: 16W
- Dimensions WxHxD: 188x188x132mm
- Gross weight: 2.3kg, net weight:1.8kg
- Frequency response: 150-18000Hz
- SPL(max)1W@1m: 1W/1m 90-(102)dB
- Color: White
- Network Interface: 100M Base network, RJ45 port, 1.5KV Electric isolation, with transmission data indicating.
- Network Protocol: Support IPv4,HTTP, DNS, NTP, RTP, RTSP, TCP, UTP, DHCP.

DIMENSIONS AND INSTALLATION



1. RJ45 Network port
2. USB port for software upgrade & music playing
3. Indicator for POE
4. Indicator for status
5. DC input with 12V~24V